

Notes:

- All nail fixings pre-drilled minimum 1mm diameter smaller than nail gauge
- All products to be pre-coated & cut edges to be sealed as per Branz Bulletin 411
- All materials and fixtures are to comply with E2/AS1 clause 2.2
- Provide PVC tape bond break between H3.2 battens and any flashing
- Vertical Shiplap profiles to be fixed with a minimum 2mm gap at the overlap between boards
- Rigid & Flexible underlay as per table 23 and clauses 9.1.5 to 9.1.7
- Timber to NZBC B2 durability B2.3.1 (b), Western Red Cedar, Larch

6mm Fibre cement Rigid Wall Underlay
As per table 23 and clauses 9.1.5 to 9.1.7 and 9.1.7.2 E2/AS1

Support pipe with a nog under & screw fixed strap over

Flexible flashing tape

Internal wall lining

Framing

Fixall 220

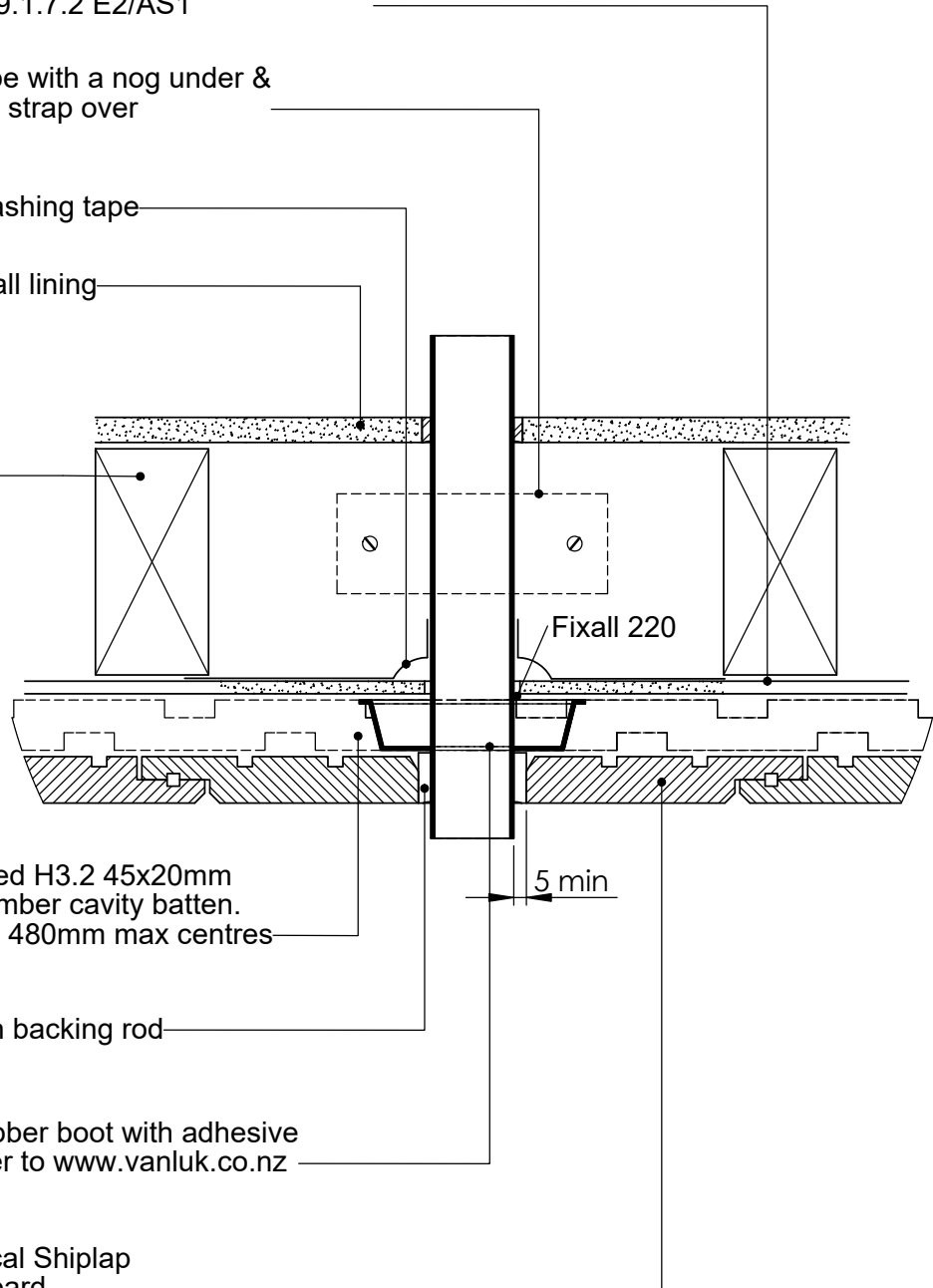
CCA treated H3.2 45x20mm
BBS "V" timber cavity batten.
Vertical @ 480mm max centres

5 min

Sealant on backing rod

Vanluk rubber boot with adhesive collar, refer to www.vanluk.co.nz

BBS Vertical Shiplap
Weatherboard



TITLE:					copyright BBS Timbers LTD ©		Pipe Penetration Detail	
	NAME	SIGNATURE	DATE	Rev	 27 Kioreroa road PO Box 1407 Whangarei 09 438 9358	DWG NO.	A4	
DRAWN						VC-RB-12		
CHK'D								
APP'VD						SCALE:1:20 DNS	SHEET 1 OF 1	