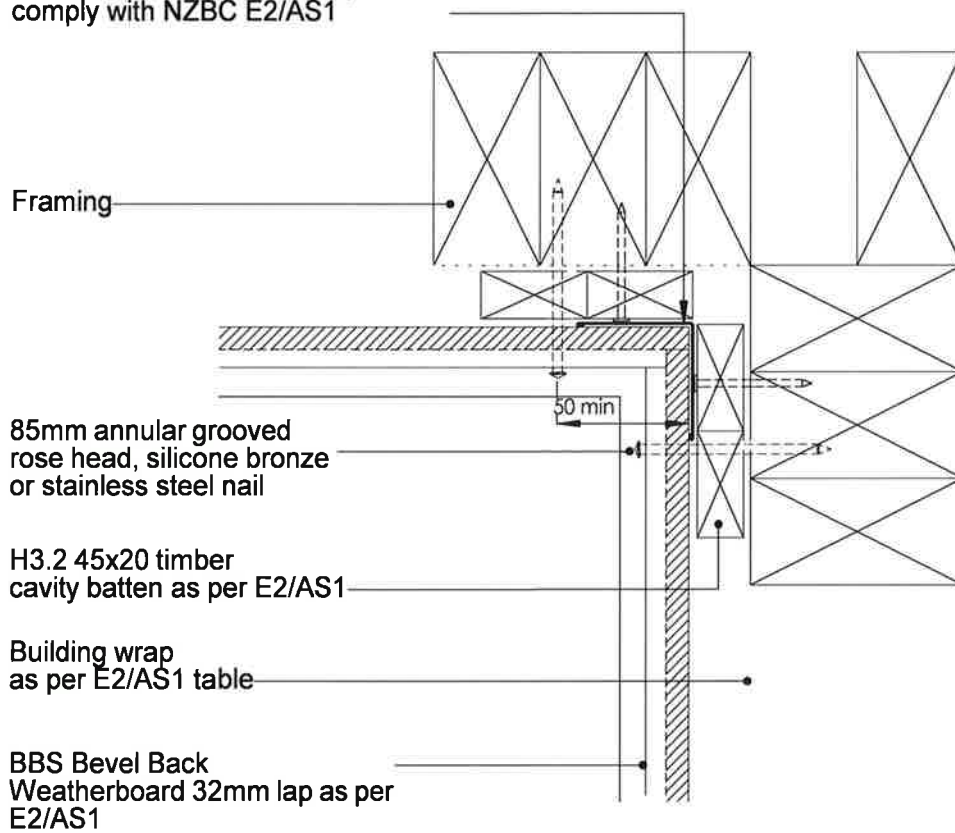


Notes:

- All nail fixings pre-drilled minimum 1mm diameter smaller than nail gauge
- All products to be pre-coated & cut edges to be sealed as per Branz Bulletin 411
- All materials and fixtures are to comply with E2/AS1 clause 2.2
- Provide PVC tape bond break between H3.2 battens and any flashing
- Rigid & Flexible underlay as per table 23 and clauses 9.1.5 to 9.1.7
- Timber to NZBC B2 durability B23.1 (b), Western Red Cedar, Larch

Minimum 50x50mm internal flashing
hem edge folds compatibility to
comply with NZBC E2/AS1



TITLE:					copyright BBS Timbers LTD ©		Internal Corner Detail		
	NAME	SIGNATURE	DATE	Rev	 27 Kioreroa road PO Box 1407 Whangarei 09 438 9358	DWG NO.	B-CW-01	A4	
DRAWN						SCALE:1:1			DNS
CHKD									
APPV'D									