

Notes:

- All nail fixings pre-drilled minimum 1mm diameter smaller than nail gauge
- All products to be pre-coated & cut edges to be sealed as per Branz Bulletin 411
- All materials and fixtures are to comply with E2/AS1 clause 2.2
- Provide PVC tape bond break between H3.2 battens and any flashing
- Rigid & Flexible underlay as per table 23 and clauses 9.1.5 to 9.1.7
- Timber to NZBC B2 durability B2.3.1 (b), Western Red Cedar, Larch

80mm PBS Butyl tape lapped evenly to corner over a 100mm tape strip PBS butyl primer

BBS110 (39X39) dressed 4 sides internal timber mouldng

Minimum 75x75mm internal flashing hem edge folds compatibility to comply with NZBC E2/AS1

Framing

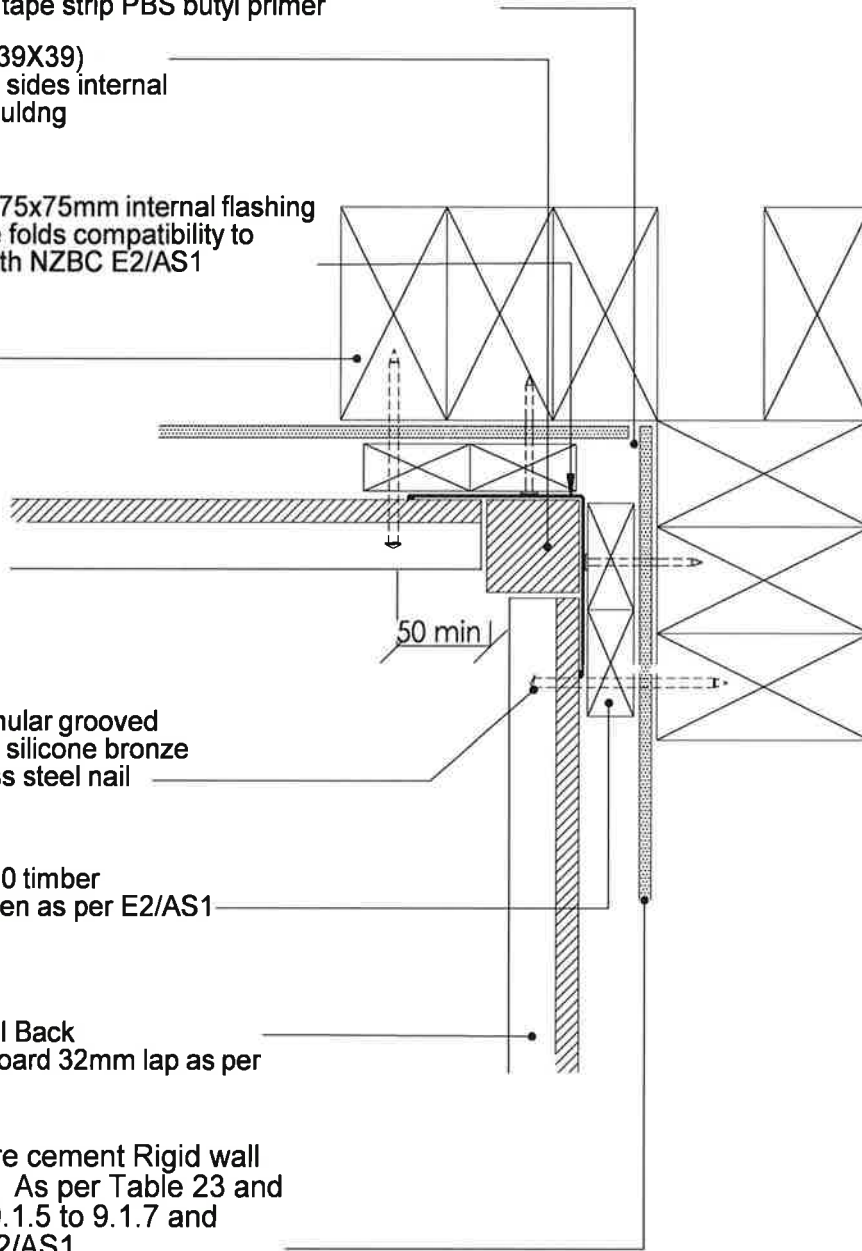
50 min |

85mm annular grooved rose head silicone bronze or stainless steel nail

H3.2 45x20 timber cavity batten as per E2/AS1

BBS Bevel Back Weatherboard 32mm lap as per E2/AS1

6mm Fibre cement Rigid wall underlay. As per Table 23 and clauses 9.1.5 to 9.1.7 and 9.1.7.2 E2/AS1



TITLE:					copyright BBS Timbers LTD ©		Internal Corner Detail		
	NAME	SIGNATURE	DATE	Rev	 27 Kioreroa road PO Box 1407 Whangarei 09 438 9358	DWG NO.	A4		
DRAWN						B-RB-02			
CHK'D									
APP'VD						SCALE:1:1	DNS	SHEET 1 OF 1	