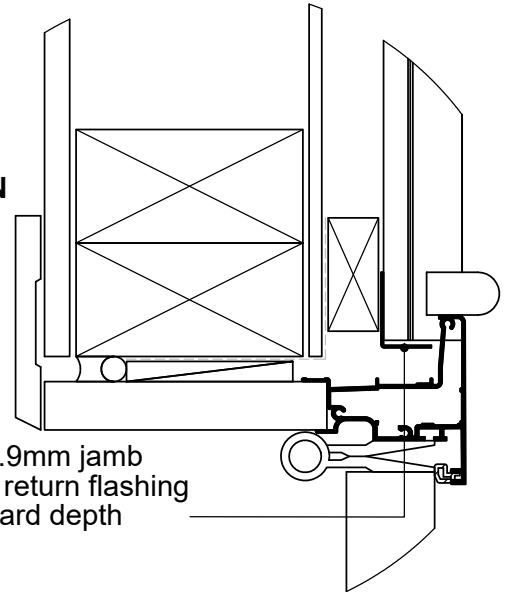


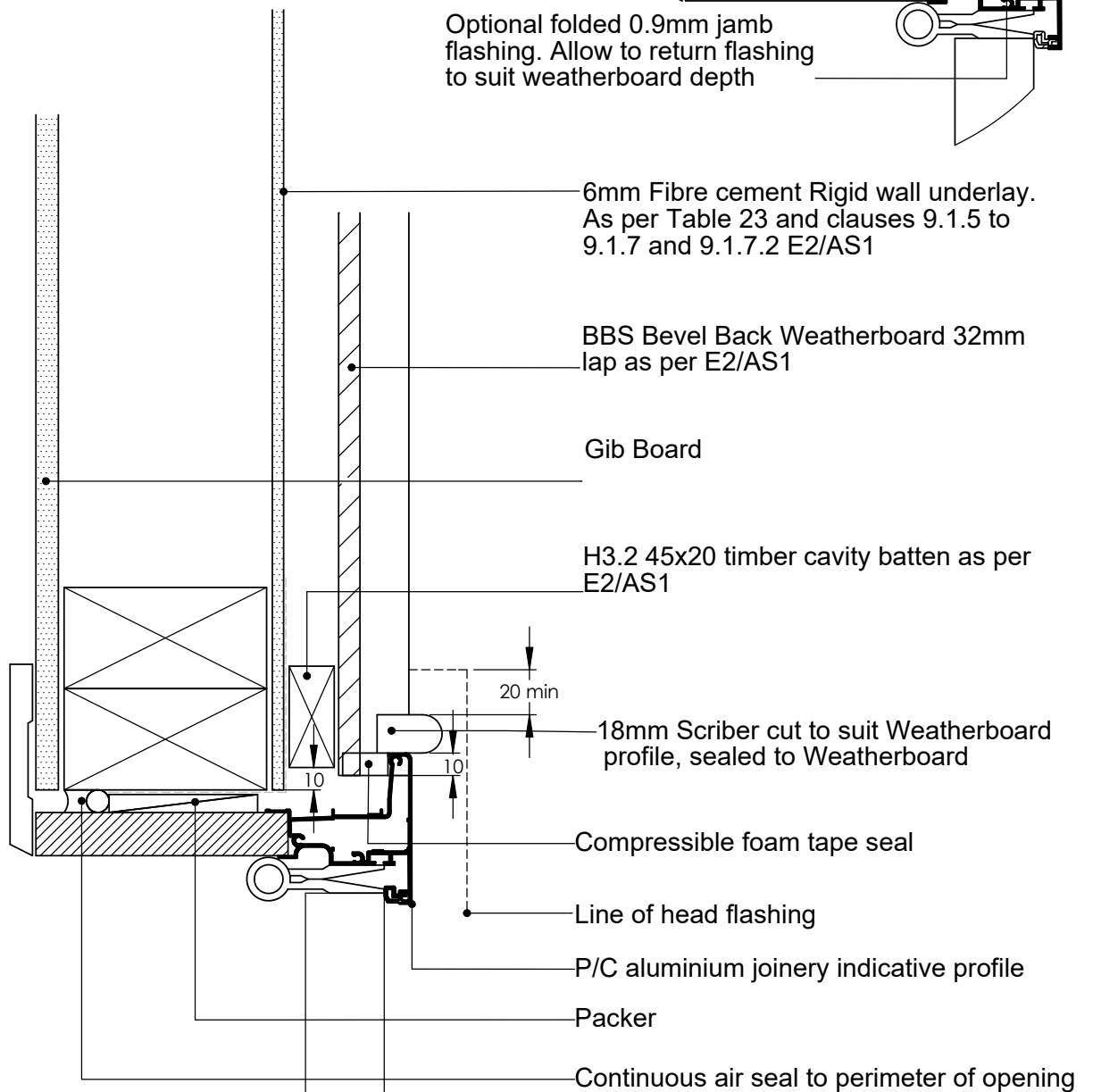
Notes:

- All nail fixings pre-drilled minimum 1mm diameter smaller than nail gauge
- All products to be pre-coated & cut edges to be sealed as per Branz Bulletin 411
- All materials and fixtures are to comply with E2/AS1 clause 2.2
- Provide PVC tape bond break between H3.2 battens and any flashing
- Rigid & Flexible underlay as per table 23 and clauses 9.1.5 to 9.1.7
- Timber to NZBC B2 durability b2.3.1 (b), Western Red Cedar, Larch

ALTERNATE OPTION



Optional folded 0.9mm jamb flashing. Allow to return flashing to suit weatherboard depth



6mm Fibre cement Rigid wall underlay. As per Table 23 and clauses 9.1.5 to 9.1.7 and 9.1.7.2 E2/AS1

BBS Bevel Back Weatherboard 32mm lap as per E2/AS1

Gib Board

H3.2 45x20 timber cavity batten as per E2/AS1

20 min

18mm Scriber cut to suit Weatherboard profile, sealed to Weatherboard

Compressible foam tape seal

Line of head flashing

P/C aluminium joinery indicative profile

Packer

Continuous air seal to perimeter of opening

TITLE:					copyright BBS Timbers LTD ©		Aluminium Jamb Detail	
	NAME	SIGNATURE	DATE	Rev		DWG NO.	A4	
DRAWN						B-RB-24-J		
CHK'D								
APPVD								
						27 Kioreroa road PO Box 1407 Whangarei 09 438 9358	SCALE:1:10 DNS   SHEET 1 OF 1	