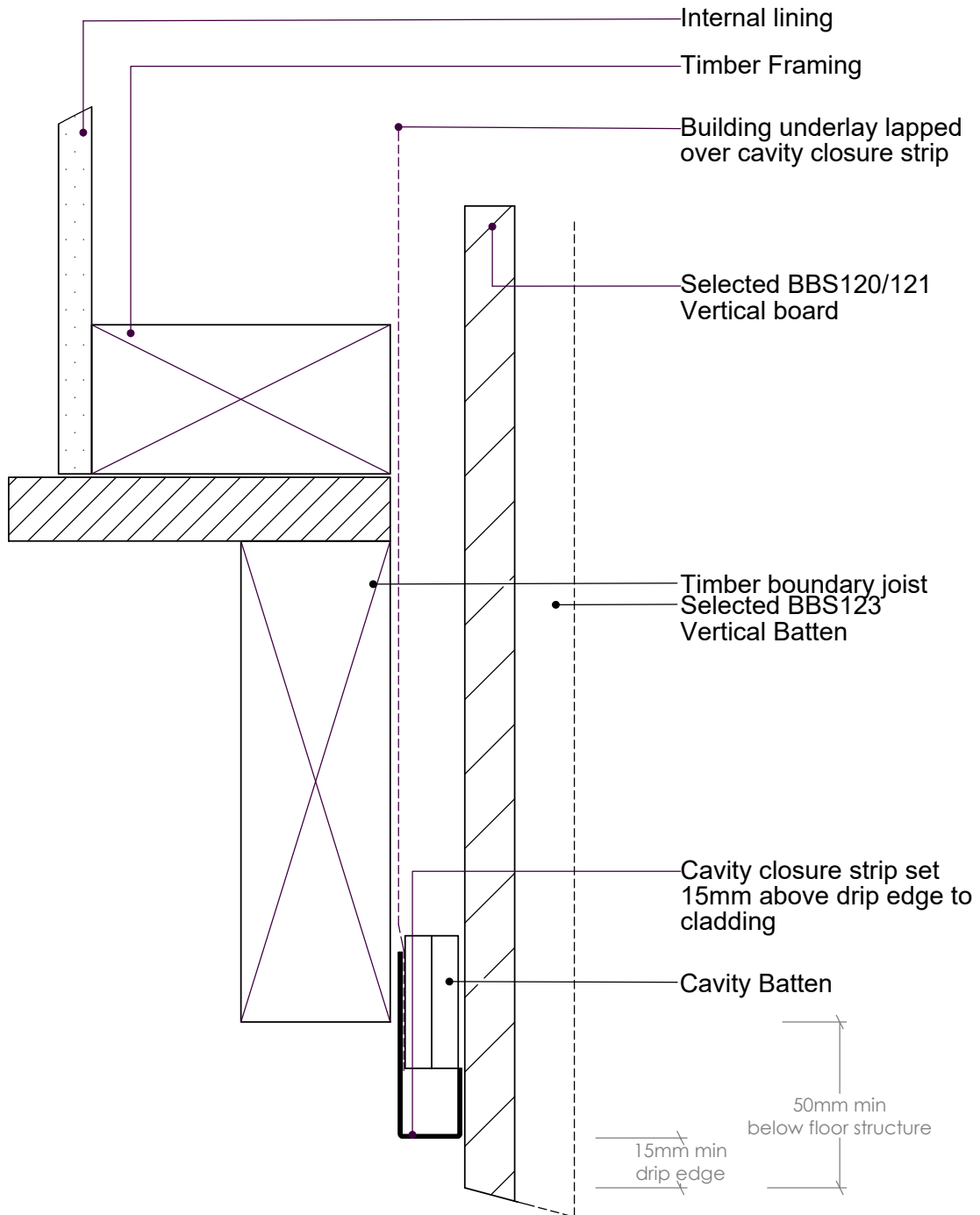


Notes:

- All nail fixings pre-drilled minimum 1mm diameter smaller than the nail gauge.
- All BBS Timber products to be pre-coated & cut ends and edges and all fresh cut surfaces double coated and sealed before fixing.
- All Materials and fixtures are to comply with E2/AS1 Clause 2.2.
- For non-hemmed corner flashings, ensure a minimum of 75mm cover to weatherboards beyond the point where BRANZ bulletin 411 compliant Weatherboard lap or rebate combinations terminate at the corner junction. In Extra High Wind Zones and above, the 75mm cover requirements remains and hemmed edges must be used
- Refer to NZBC Acceptable Solutions E2/AS1 Table 2.1 for the separation requirements between CCA treated battens and metal flashings



					copyright BBS Timbers LTD ©	<b>Base of Wall, Timber</b>		
	NAME	SIGNATURE	DATE	Rev		DWG NO.	A4	
DRAWN						27 Kioreroa road PO Box 1407 Whangarei 09 438 9358	<b>BB-CW-11</b>	
CHK'D						SCALE:1:10 DNS	SHEET 1 OF 1	
APPV'D								