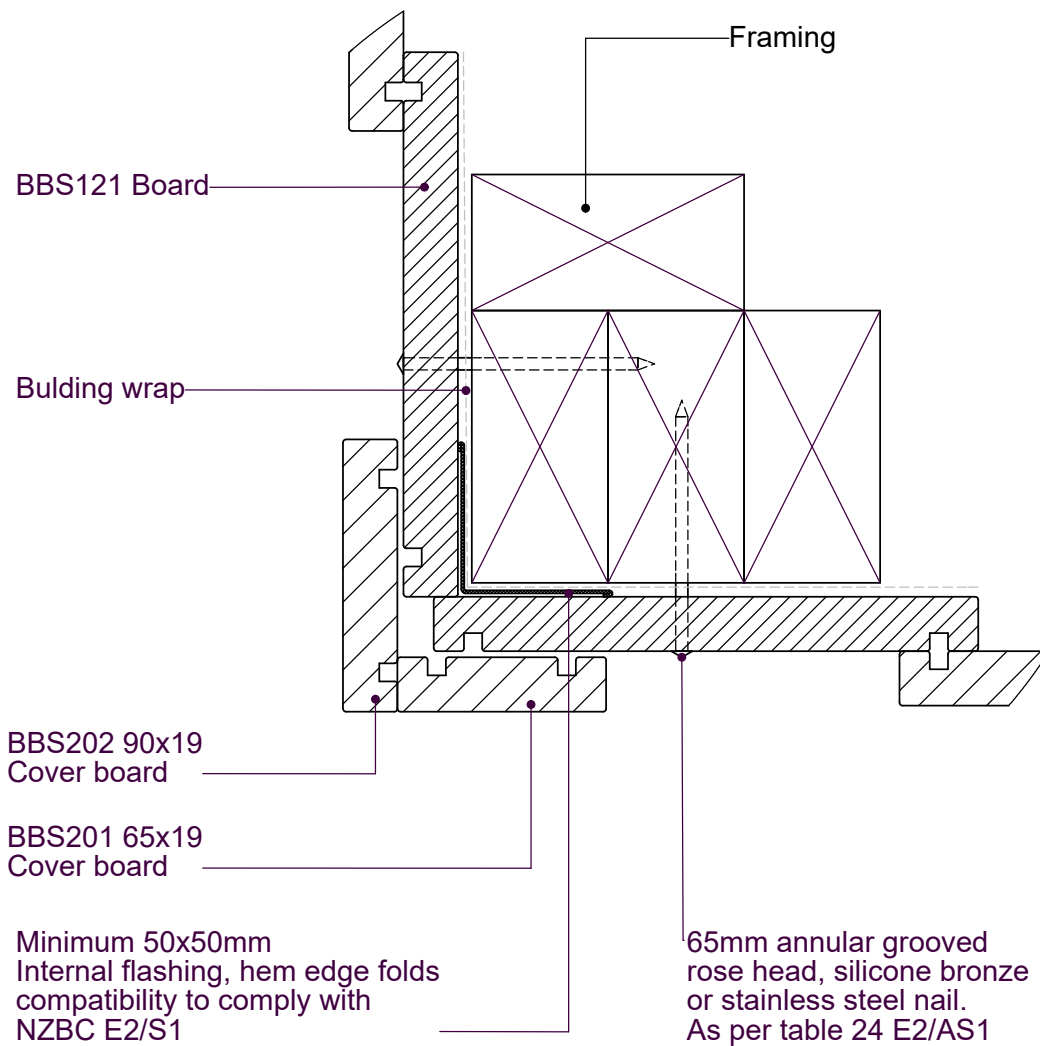


Notes:

- All nail fixings pre-drilled minimum 1mm diameter smaller than nail gauge
- All products to be pre-coated & cut edges to be sealed as per Branz Bulletin 411
- All materials and fixtures are to comply with E2/AS1 clause 2.2
- Provide PVC tape bond break between H3.2 battens and any flashing
- Specific Rebated Bevel Back, Rusticated & Vertical Shiplap Profiles to be fixed with a minimum 2mm gap at the overlap between boards



NOTE:

Board & Battens fixed off nogs as per table 24 E2/AS1 at 480mm max centres

TITLE:					copyright BBS Timbers LTD ©		External corner detail	
	NAME	SIGNATURE	DATE	Rev		27 Kioreroa road PO Box 1407 Whangarei 09 438 9358	DWG NO.	A4
DRAWN							BB-DF-02	
CHK'D								
APP'VD								
						SCALE:1:5	DNS	SHEET 1 OF 1